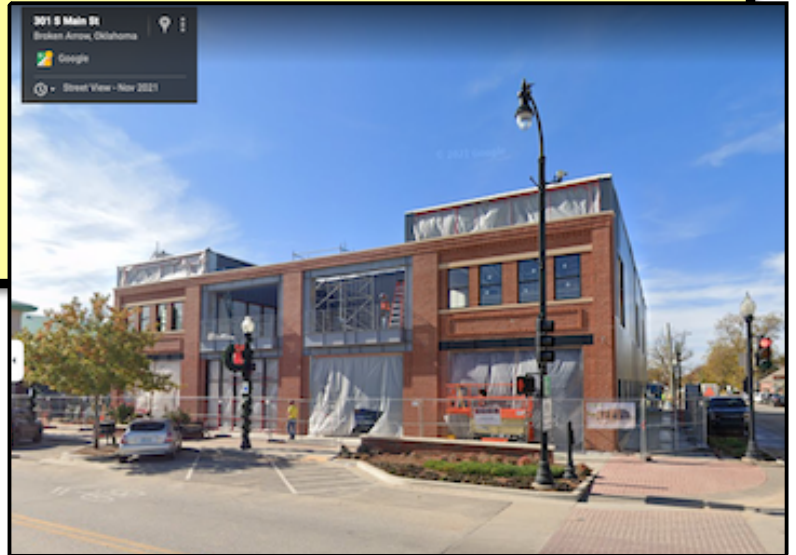




IMPORTANT: NEW DATES ANNOUNCED for the 2022 Woodcarving and Folk Art Festival are set for August 12-13. Registration forms have been sent via email to club members. If you haven't received it yet let me know. The show will be at the Broken Arrow Community Center again this year.

NEXT MEETING: Wednesday, March 9, 7:00PM.

The March meeting will be at the new Arts@302 (Broken Arrow Arts Center). Address: 302 S. Main, Broken Arrow. We will have our regular meeting agenda followed by a tour of the facilities. The Center is on the southwest corner of Main and Dallas in the Broken Arrow Rose District. There is parking in back.



Cat with bird house was the February monthly judging winner, carved by Bill Payne



Bob Block shows his cane that was the second place judged item.



There will be another wood give-away at the March meeting courtesy of Jean Ann Fauser. Twelve pieces of exotic and semi-exotic wood will be given to individuals via drawing. Included are walnut, yellow-heart, purple heart, basswood, zebra wood and others.

2022 Officers

President: Morty McKay 918-404-2102
Vice-Pres. Jay Stevenson 314-640-4545
Secretary: Carol Alley 918-260-4857
Treasurer: Roy Heginbotham 405-637-8006
Library: Bob Branham 918-455-6229
Hospitality:
Directors: Roy Heginbotham 405-637-8006
Jim Lowry 918-712-0807
2019 Show Chair:
Bob Block 918-742-3969
Newsletter: Rusty Johnson 918-743-0403

Jim Milton Judging Schedule

Judging is on hold until there are more members attending the monthly meetings.
November Christmas Ornaments
December Christmas Party

Refreshment Nights

February June September December

EOWA Monthly Meeting

Second Wednesday of the month, 7-9 PM
St. Stephens Methodist Church, 400 W. New Orleans, in Broken Arrow.

Monday Night Carve-Ins

Every Monday: 6:30-8:30 PM No Fee
St. Stephens Methodist Church, 400 W. New Orleans, in Broken Arrow.
Visitors are welcome at all meetings and carve-ins.

Dues

\$30 yearly, due in July.
Application, change of address and renewal form on last page.
Send to:
EOWA, Roy Heginbotham
38037 S. 4417 Rd.
Big Cabin OK 74332.
Phone 405-637-8006
Email: pndkeepr@gmail.com

Web address: www.eowa.us

Facebook address:
[www.facebook.com/groups/
EasternOklaWoodcarversAssoc/](http://www.facebook.com/groups/EasternOklaWoodcarversAssoc/)

To submit items for the newsletter send to
Rusty Johnson at: ytsurjohnson@aol.com

Officers for 2022 are listed in the column to the left. As vice president Jay Stevenson is in charge of the monthly program. If you have an idea for a program you would like to see, or a program you could give please text or contact Jay at the number listed.

If you have a work in progress or finished but you don't feel comfortable attending the meeting please send me a photo and description for **Show and Tell** in the Newsletter. Let the other members see what you are doing.



Seven members participated in Bill Payne's elephant family carving seminar. Above is a rare photo of Mike Stevenson in the process of painting his elephant carving.

Photos by Paul Barry



MINUTES OF MEETING FEB. 9, 2022- 15 PRESENT

CALL TO ORDER: Jay Stevenson

FLAG SALUTE: Morty McKay

JACKPOT: Bill Huggins

DOOR PRIZES: Everyone got a piece of wood donated by Rusty Johnson.

TREASURE REPORT: \$4152.20

SEMINARS ATTENDED: 7 present in a class for carving an elephant

SHOW REPORT: This years show will be August 12th and 13th..

UPCOMING SHOWS: Northwest Arkansas--3-22-2022 and Oklahoma City is August 12th.

OLD BUSINESS: Tour of the Arts Museum on the March Meeting.

NEW BUSINESS: Discussion of children carving and ages, also discussions of waver for the parents of children to sign.

JUDGING OF CARVINGS: 1st place--Cat on tree by Bill Payne, 2nd place-eagle cane with flag carved by Bob Block, 3rd place little bird carved by Rusty Johnson and 4th place large bird carved by Gary Bennett.

SHOW AND TELL: Some Elephants from the class, Santa Claus by Bob Block and two scissor-tail birds by Rusty Johnson

PROGRAM: How to finish a carving to save the wood.

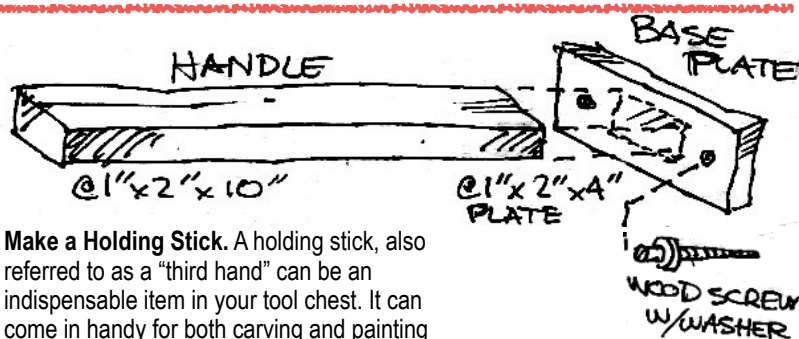
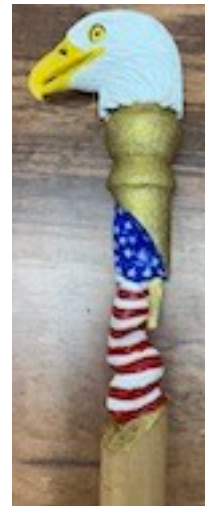
NEXT MEETING IS MARCH 9TH. ALL ARE WELCOME TO THE MEETING, IT STARTS AT 7:00 PM.



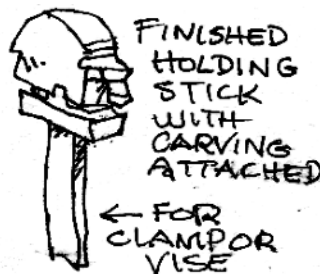
More photos from the elephant carving seminar.

Photos by Paul Barry

Bob Block's eagle cane.



Make a Holding Stick. A holding stick, also referred to as a "third hand" can be an indispensable item in your tool chest. It can come in handy for both carving and painting your work. Pieces of scrap wood will work fine. The handle and base plate should be firmly glued and screwed together for a strong unmovable bond. The above dimensions are approximate and can be altered to accommodate large or small carvings. Drill holes in base plate for two screws to be driven into the bottom of your carving to hold it to the plate. The holding stick can be clamped in a vise at any angle to allow for use of both hands for carving, rasping, painting or sanding.



Prize Money Awards

Breakfast: 7-10:30
Lunch: 10:30-2

42nd ANNUAL WOODCARVING SHOW & SALE

SATURDAY, May 7, 2022 • 10 a.m. - 5 p.m.
and
SUNDAY, May 8, 2022 • 10 a.m. - 4 p.m.

Featuring:

- UNLIMITED HAND TOOLS CARVING CONTEST
- WOODCARVERS • WOOD TURNERS
- DEMONSTRATIONS
- FOOD AVAILABLE FROM 7:00 A.M.
- WOODCARVING DOOR PRIZES DRAWING EVERY HOUR

FREE ADMISSION

BAXTER COUNTY FAIRGROUNDS
157 Fairgrounds Drive
(College and Wade Avenue)
Mountain Home, AR 72653

FOR INFORMATION:
Website: www.northarkansaswoodcarvers.org
webmaster@northarkansaswoodcarvers.org
or Call: Sandy Smith - 870-431-8070
or Write: NAWC, P.O. Box 531, Mountain Home, AR 72654
or E-mail: typesmith@suddenlink.net

EOWA dues are due July 1 each year. Please send your check to: EOWA, Roy Heginbotham, 38037 S. 4417 Rd., Big Cabin OK 74332

Or bring your check to the meeting and hand it over to Roy personally.